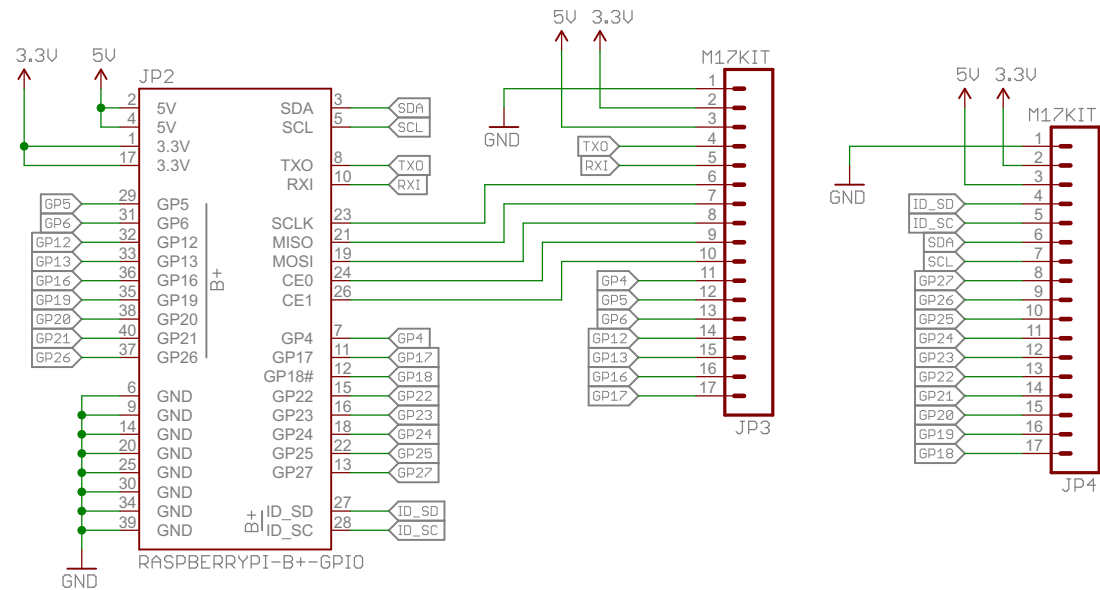
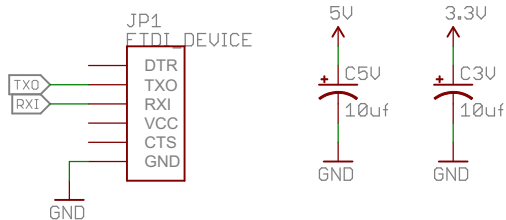


All logic signals are 3.3V, and not 5V tolerant.



TXD and RXI use 3.3V logic levels.



Released under the Creative Commons Attribution Share-Alike 4.0 License
<https://creativecommons.org/licenses/by-sa/4.0/>

TITLE: Pi Wedge B Plus_v11

Design by Byron Jacquot



REV: U11

Date: 12/15/2014 2:25:46 PM

Sheet: 1/1